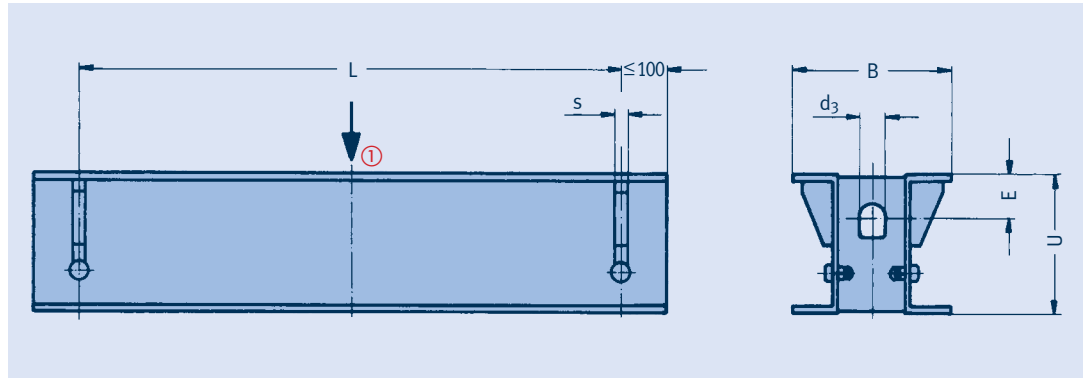


Trapezes Type 79

Trapezes type 79 22 34 to 79 20 34



① The permissible center load is to be taken from the respective trapeze load group (3rd digit or 3rd and 4th digits in the type designation).

② The L_{max} dimensions can be lengthened up to 2400mm on load reduction of 5% per 100mm extension.

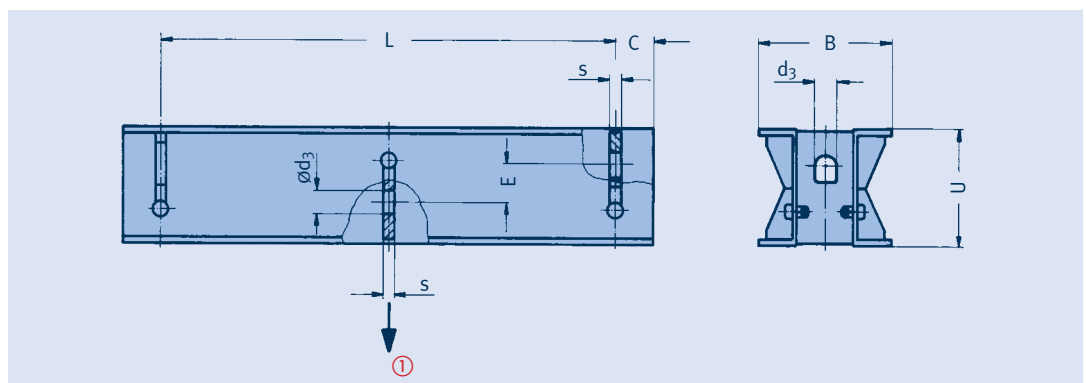
③ Connection possible for the specified load groups.

type	load ③ group	$d_3 \geq$	$s \leq$	L_{max} ②	E	U	B	weight [kg] for L = 1000mm ± per 100mm	
79 22 34	D - 4	21	10	1700	20	80	140	19	1.7
79 32 34	D - 4	21	10	1700	20	80	140	19	1.7
79 42 34	3 - 4	21	12	900 1800	20 40	80 120	140 190	19 31	1.7 2.7
79 52 34	4 - 5	25	18	1400 1800	40 40	120 140	190 200	31 38	2.7 3.2
79 62 34	5 - 6	34	20	1250 1800	40 55	140 180	200 230	38 54	3.2 4.4
79 72 34	6 - 7	41	25	1400 1800	60 65	180 200	230 250	54 65	4.4 5.1
79 82 34	6 - 8	46	25	1250 2400	70 80	200 260	250 310	65 102	5.1 7.6
79 92 34	7 - 9	51	30	1800 2400	85 90	260 300	310 350	102 129	7.6 9.2
79 10 34	8 - 10	61	30	2000	95	300	350	129	9.2
79 20 34	9 - 10	61	30	1800	95	300	350	129	9.2

Order details:

trapeze
type 79 .. 34, L = ...mm

Trapeze type 79 23 39 to 79 93 39



① The permissible load for the middle connection is to be taken from the respective trapeze load group (3rd digit in the type designation).

② L_{max} can be lengthened to 2400mm for type 79 23 39 to 79 73 39 on reduction of the permissible load by 5% for every 100mm.

③ Connection possible for the specified load groups.

type	load ③ group	d_3	L_{max} ②	E	U	B	C	s	weight [kg] for L= 1000mm ± per 100mm	
79 23 39	D - 4	21	1700	40	80	140	40	10	19	1.7
79 33 39	D - 4	21	1700	40	80	140	40	10	19	1.7
79 43 39	3 - 5	25	1800	40	120	190	50	12	32	2.7
79 53 39	4 - 6	34	1800	60	140	200	60	18	40	3.2
79 63 39	5 - 7	41	1800	65	180	230	70	20	56	4.4
79 73 39	6 - 8	46	1800	65	200	250	80	25	68	5.1
79 83 39	6 - 9	51	2400	95	260	310	90	25	108	7.6
79 93 39	7 - 10	61	2400	120	300	350	100	30	138	9.2

Order details:

trapeze
type 79 .3 39, L = ...mm