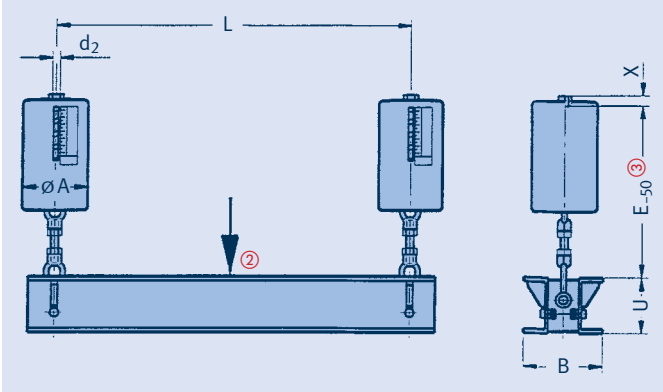


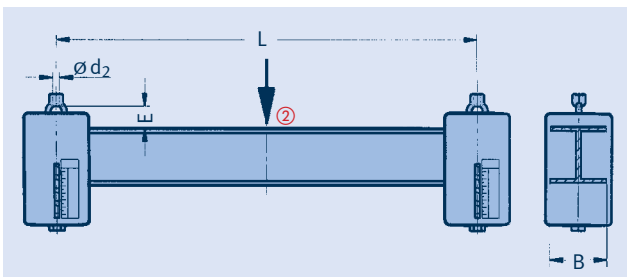
Spring hanger trapezes Type 79



Spring hanger trapezes (bolted version) type 79 D. 19 to 79 9. 19

- ① The 4th digit of the type designation refers to the travel range of the spring hanger 1=50mm, 2=100mm, 3=200mm.
- ② Permissible center loading of the other load cases, see table 4.4.1, p. 0.6 (nominal load 120kN, see load group 9).
- ③ The 'E' dimension increases on loading by the corresponding spring travel (see load table on p. 2.5).
- ④ The 'L' max dimensions can be lengthened by up to 2400mm on reduction of the permissible center loading by 5% per 100mm extension.
- ⑤ When selecting the spring hanger trapeze the weight of the 'U' profiles and the clamp base weight must be added to the operating load.
- ⑥ When selecting the spring hanger trapeze, its total weight and the weight of the clamp bases must be added to the operating load.

type	nominal load [kN] ②	ø d ₂	L _{max}	E ③ for travel range			U	A	B	X	weight [kg] L=1000mm for travel range ⑤			± per 100mm [kg]
				1	2	3					1	2	3	
79 D. ①19	1.04	M10	1700	-	385	610	80	90	140	15	-	26	30	1.7
79 1. 19	2.5	M12	1700	290	385	610	80	90	140	15	24	26	31	1.7
79 2. 19	5	M12	1700	290	390	610	80	115	140	15	28	31	37	1.7
79 3. 19	10	M16	900	315	410	630	80	115	140	20	29	32	39	1.7
79 3. 19	10	M16	1800	300	395	615	120	115	190	20	41	45	52	2.7
79 4. 19	20	M20	1400	345	450	685	120	155	190	25	53	60	74	2.7
79 4. 19	20	M20	1800	345	450	685	140	155	200	25	61	68	82	3.2
79 5. 19	40	M24	1250	405	495	730	140	180	200	30	77	85	108	3.2
79 5. 19	40	M24	1800	390	480	715	180	180	230	30	93	101	124	4.4
79 6. 19	80	M30	1250	445	560	840	200	220	250	35	138	156	200	5.1
79 6. 19	80	M30	2400	435	550	830	260	220	310	35	174	192	236	7.6
79 7. 19	120	M36	1800	505	630	900	260	245	310	45	214	244	296	7.6
79 7. 19	120	M36	2400	500	625	895	300	245	350	45	245	275	327	9.2
79 8. 19	160	M42	1200	560	725	1100	260	245	310	50	242	286	378	7.6
79 8. 19	160	M42	1800 ④	555	720	1095	300	245	350	50	273	317	410	9.2
79 9. 19	200	M48	1800 ④	610	785	1150	300	275	350	60	335	390	495	9.2



travel range ①	'E' dim. approx. ③
1	30
2	55
3	105

① ... ③ see above.

Order details:

spring hanger trapeze type 79 .. 19
L = ...mm, marking: ...,
set load: ...kN
travel: ...mm up/down

Spring hanger trapezes (welded version) type 79 D. 11 to 79 9. 11



In restricted spaces this version can be supplied as a special design.

Order details:

spring hanger trapeze type 79 .. 11
L = ...mm, marking: ...
set load: ...kN
travel: ...mm up/down

type	nominal load [kN] ②	ø d ₂	L _{max}	B	weight [kg] L=1000mm for travel range ⑤			± per 100mm [kg]
					1	2	3	
79 D. ①11	1.04	M10	1400	80	-	16	20	1.1
79 1. 11	2.5	M12	1400	100	19	21	26	1.6
79 2. 11	5	M12	1600	100	26	29	35	2.0
79 3. 11	10	M16	1600	100	27	30	38	2.0
79 4. 11	20	M20	1750	120	41	48	63	2.7
79 5. 11	40	M24	2100	160	68	76	99	4.3
79 6. 11	80	M30	2100	200	110	128	172	6.1
79 7. 11	120	M36	2100	240	159	189	241	8.3
79 8. 11	160	M42	2150	260	186	230	322	9.3
79 9. 11	200	M48	2200	280	243	297	403	10.3