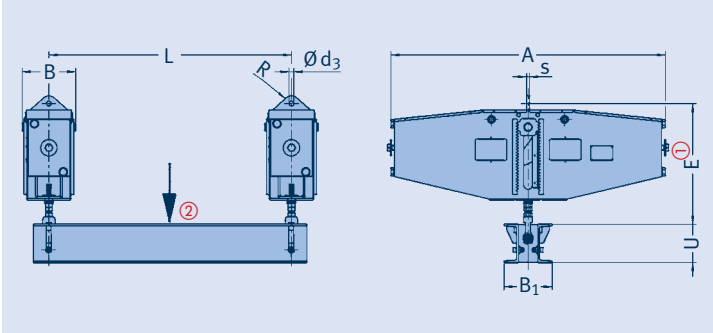




Constant hanger trapezes Type 79



type	④ min. load [kN]	④ max. load [kN]	travel	L _{max}	A	B	d ₃	E①	R	s	U	B ₁	weight for ③ L=1000 ± per 100mm [kg]	[kg]
79 D3 17	0.42	1.02	300	1700	973	205	17	569	25	10	80	140	121	1.7
79 D1 27	0.42	1.44	75	1700	610	205	17	372	25	10	80	140	79	1.7
79 D2 27	0.42	1.44	150	1700	664	205	17	409	25	10	80	140	87	1.7
79 D3 27	0.74	1.44	300	1700	973	205	17	569	25	10	80	140	121	1.7
79 11 27	1.08	3.42	75	1700	610	205	17	393	25	10	80	140	79	1.7
79 12 27	1.08	3.42	150	1700	664	205	17	430	25	10	80	140	87	1.7
79 13 27	1.08	3.42	300	1700	973	205	17	590	25	10	80	140	131	1.7
79 21 17	2.5	6.0	75	1700	610	205	17	393	25	10	80	140	79	1.7
79 22 17	2.5	6.0	150	1700	664	205	17	430	25	10	80	140	93	1.7
79 23 17	2.5	6.0	300	1700	973	205	17	590	25	10	80	140	131	1.7
79 21 27	4.4	8.0	75	1700	610	205	17	393	25	10	80	140	79	1.7
79 22 27	4.4	8.0	150	1700	664	205	17	430	25	10	80	140	93	1.7
79 23 27	4.4	8.0	300	1700	973	205	17	590	25	10	80	140	133	1.7
79 31 17	5.6	10.3	75	1800	652	205	21	410	30	10	120	190	100	2.7
79 32 17	5.6	10.3	150	1800	837	233	21	464	30	10	120	190	176	2.7
79 33 17	5.6	10.3	300	1800	1099	233	21	611	30	10	120	190	222	2.7
79 31 27	7.6	13.6	75	1800	652	205	21	410	30	10	120	190	100	2.7
79 32 27	7.6	13.6	150	1800	837	233	21	464	30	10	120	190	176	2.7
79 33 27	7.6	13.6	300	1800	1099	233	21	611	30	10	120	190	224	2.7
79 41 17	10	18.6	75	1800	755	233	21	472	30	10	140	200	172	3.2
79 42 17	10	18.6	150	1800	934	261	21	488	30	10	140	200	238	3.2
79 43 17	10	18.6	300	1800	1099	233	21	626	30	10	140	200	242	3.2
79 41 27	13.8	24.8	75	1800	755	233	25	475	40	15	140	200	174	3.2
79 42 27	13.8	24.8	150	1800	934	261	25	491	40	15	140	200	260	3.2
79 43 27	13.8	24.8	300	1800	1288	261	25	644	40	15	140	200	338	3.2
79 51 17	18.4	32.4	75	1800	755	233	25	489	40	15	180	230	190	4.4
79 52 17	18.4	32.4	150	1800	934	261	25	512	40	15	180	230	276	4.4
79 53 17	18.4	32.4	300	1800	1288	261	25	658	40	15	180	230	354	4.4
79 51 27	23.8	43.8	75	1800	812	261	25	493	40	15	180	230	240	4.4
79 52 27	23.8	43.8	150	1800	1055	276	25	521	40	15	180	230	366	4.4
79 53 27	23.8	43.8	300	1800	1426	276	25	667	40	15	180	230	468	4.4
79 61 17	32.3	59.8	75	2400	878	261	34	521	50	18	260	310	312	7.6
79 62 17	32.3	59.8	150	2400	1140	291	34	544	50	18	260	310	460	7.6
79 63 17	32.3	59.8	300	2400	1592	291	34	678	50	18	260	310	604	7.6
79 61 27	44.2	81	75	2400	878	261	41	531	65	20	260	310	318	7.6
79 62 27	44.2	81	150	2400	1302	278	41	556	65	20	260	310	470	7.6
79 63 27	44.2	81	300	2400	1720	302	41	690	65	20	260	310	736	7.6
79 71 17	59.6	94	75	2400	976	276	41	586	65	20	300	350	418	9.2
79 72 17	59.6	94	150	2400	1446	291	41	589	65	20	300	350	562	9.2
79 73 17	59.6	94	300	2400	1720	302	41	769	65	20	300	350	780	9.2
79 71 27	70	120	75	2400	1072	291	41	607	65	22	300	350	482	9.2
79 72 27	70	120	150	2400	1570	302	41	617	65	22	300	350	694	9.2
79 73 27	70	120	300	2400	1935	362	41	762	65	22	300	350	1098	9.2
79 81 17	88.4	160	75	1800	② 1251	302	51	677	80	25	300	350	644	9.2
79 82 17	88.4	160	150	1800	② 1805	362	51	702	80	25	300	350	1070	9.2
79 83 17	88.4	160	300	1800	② 1965	347	51	836	80	25	300	350	1486	9.2
79 91 17	118	200	75	1800	② 1520	302	51	694	80	25	300	350	730	9.2
79 92 17	118	200	150	1800	② 1805	362	51	725	80	25	300	350	1066	9.2
79 93 17	118	200	300	1800	② 1965	347	51	859	80	25	300	350	1538	9.2

Constant hanger trapezes type 79 D3 17 to 79 93 17

- ① Dimension E right at top in blocking position, for other blocking positions, dim. E lengthens accordingly.
- ② The L_{max} dimensions can be lengthened to 2400mm, on reduction of the permissible center load by 5% per 100mm extension.
- ③ When selecting the constant hanger trapeze the weight of the U-profiles and the clamp base weight must be added to the operating load.
- ④ Max. permissible loads:
 - Emergency (HZ) at 80°C = Calibration load x 1.33
 - Faulted condition (HS) at 150°C = Calibration load x 1.66
 - Max. blocking load at 80°C = Calibration load x 1.5

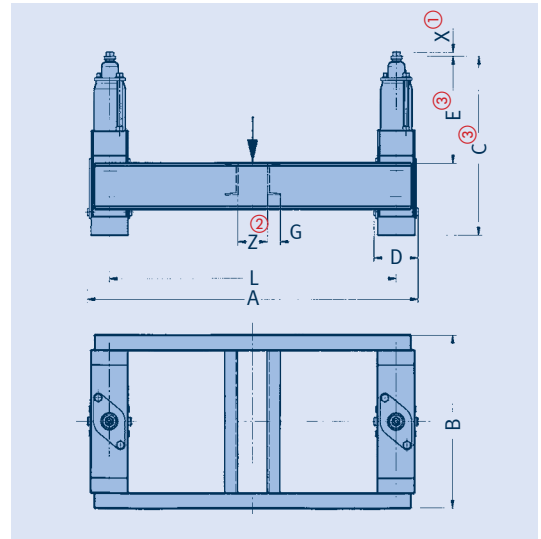
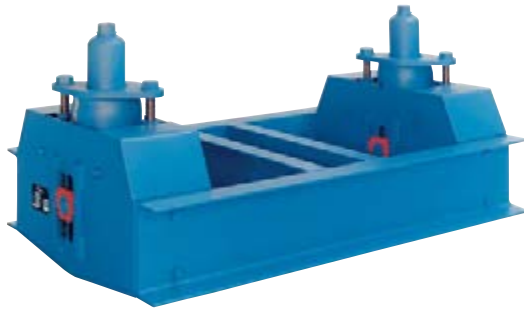
Order details:
 trapeze type 79
 L = ...mm
 marking: ...
 calibration load: ...kN
 of the support point
 trave: ...mm up/down
 blocking position
 (as required): ...mm

Constant hanger trapezes

Type 79

Constant hanger trapezes types 79 D2 15 to 79 96 15

This design of trapeze is used if the standard design type 79 .2 34 does not fit due to extremely restricted installation space. The trapezes are supplied bolted ex works.



① X = min. engagement depth + 300mm engagement possibility.

② Dimension L and dimension Z are to be stated when ordering.

③ Dimension E and dimension C 0mm in blocking position, in other blocking positions E and C lengthen accordingly.

④ When selecting the constant hanger trapeze its total weight and the clamp base weight must be added to the operating load.

⑤ The L_{max} dimensions can be lengthened to 2400mm on load reduction by 5% per 100mm extension.

type	A_{max}	B	C ^③	D	E ^③	G	L_{max} ^⑤	X ^①	total weight [kg] $L=1000$ ^④	weight change [kg/m] ^④
79 D2 15	1210	325	365	110	180	15	1100	15	30	6.6
79 D3 15	1230	435	560	130	245	15	1100	15	48	6.6
79 12 15	1930	515	390	130	235	30	1800	15	61	23.8
79 13 15	1930	545	660	130	380	30	1800	15	81	23.8
79 22 15	1960	575	400	160	240	30	1800	15	74	23.8
79 23 15	1960	590	665	160	355	30	1800	15	103	23.8
79 32 15	2170	605	410	170	235	45	2000	20	104	36.4
79 33 15	2170	650	695	170	370	45	2000	20	137	36.4
79 34 13	2170	700	960	185	560	45	2000	20	174	36.4
79 35 13	2170	775	1240	190	735	45	2000	20	255	36.4
79 42 15	2185	640	465	185	190	55	2000	25	153	44.0
79 43 15	2185	710	765	185	415	55	2000	25	199	44.0
79 44 13	2185	750	1040	185	625	55	2000	25	253	44.0
79 45 13	2190	805	1285	190	685	55	2000	25	370	44.0
79 52 15	2330	740	500	230	275	65	2100	30	230	50.6
79 53 15	2330	860	800	230	420	65	2100	30	318	50.6
79 54 15	2330	895	1135	230	660	65	2100	30	408	50.6
79 55 15	2330	1005	1435	230	845	65	2100	30	528	58.8
79 62 15	2375	895	590	275	315	70	2100	35	384	66.4
79 63 15	2375	985	935	275	480	70	2100	35	486	66.4
79 64 15	2375	1015	1320	275	815	70	2100	35	650	66.4
79 65 15	2375	1055	1665	275	1085	70	2100	35	798	66.4
79 66 15	2380	1315	2065	280	1265	70	2100	35	1120	66.4
79 72 15	2400	970	655	300	320	85	2100	45	549	83.6
79 73 15	2400	1040	990	300	560	85	2100	45	688	83.6
79 74 15	2400	1200	1420	300	820	85	2100	45	941	92.4
79 75 15	2405	1360	1755	305	1020	85	2100	45	1296	92.4
79 76 15	2405	1475	2195	305	1275	85	2100	45	1600	92.4
79 82 15	2420	1015	755	320	380	95	2100	50	746	119.0
79 83 15	2420	1145	1190	320	650	95	2100	50	959	119.0
79 84 15	2420	1310	1695	320	1015	95	2100	50	1263	119.0
79 85 15	2420	1400	2135	320	1275	95	2100	50	1715	119.0
79 86 15	2425	1460	2635	325	1545	95	2100	50	2190	119.0
79 92 15	2450	1065	820	350	430	100	2100	60	908	119.0
79 93 15	2450	1295	1250	350	665	100	2100	60	1207	119.0
79 94 15	2450	1440	1795	350	1055	100	2100	60	1625	119.0
79 95 15	2455	1455	2220	355	1395	100	2100	60	1997	119.0
79 96 15	2455	1505	2760	355	1680	100	2100	60	2530	119.0

Order details:

trapeze type 79 ...
 L = ...mm
 Z = ...mm
 marking: ...
 calibration load: ...kN
 of the support point
 travel: ...mm up/down
 blocking position
 (as required): ...mm