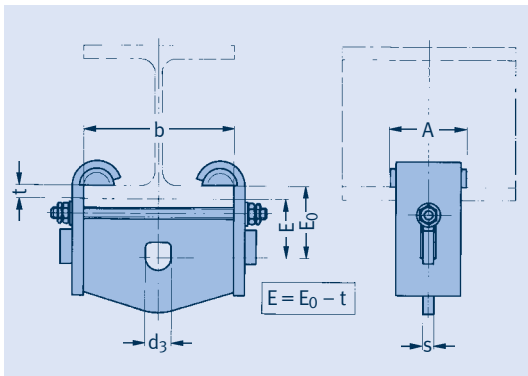
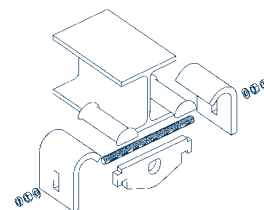


Beam clamps Type 78 Trapezes Type 79

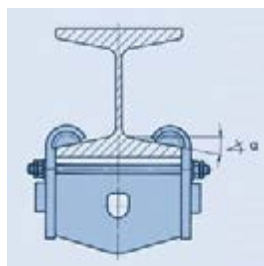
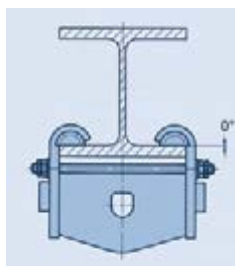


Beam clamps
type 78 21 11 to 78 71 11

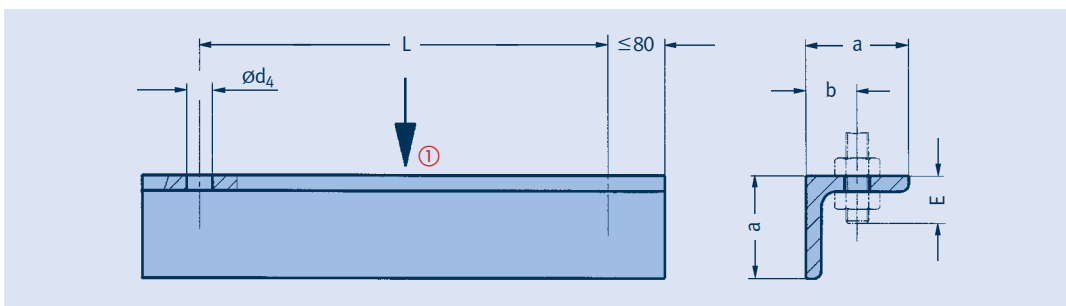


type	d ₃	A	E ₀ up to beam width b=									s	t _{max} ②	weight [kg]
			46	82	100	125	140	180	220	260	300			
78 21 11	17	80	55	55	65	65	65	75	85	-	-	8	15	0.8 – 1.6
78 31 11	21	80	-	70	70	70	70	80	90	100	110	10	20	2.0 – 3.6
78 41 11	25	125	-	-	-	85	90	90	100	105	115	15	25	6.7 – 8.9
78 51 11	34	125	-	-	-	95	95	105	115	130	140	15	25	6.8 – 9.5
78 61 11	41	180	-	-	-	-	-	100	100	110	110	20	30	17.7 – 19.8
78 71 11 ①	51	180	-	-	-	-	-	115	115	125	130	20	30	18.2 – 20.8

- ① Load sizes 8 + 9 can also be connected. The permissible load amounts to 100kN in load case H.
- ② Larger 't' dimension possible on request – E₀ increases correspondingly. When ordering please state beam width 'b' and flange thickness 't'.



Order details:
beam clamp
type 78 .1 11
beam width b = ...mm
flange thickness t = ...mm



Trapezes for the use
of lower loads at
temperatures $\le 80^\circ\text{C}$
type 79 C2 37 to 79 42 37

- ① The permissible center load is to be taken from the respective trapeze load group (3rd digit in the type designation).

type	L _{max}	E	a	b	ød ₄	weight [kg] for L=500mm ± per 100mm	
						weight [kg]	weight [kg]
79 C2 37	1000	25	40	22	11	1.7	0.3
79 D2 37	1000	25	60	25	11	2.6	0.46
79 12 37	600	25	60	25	11	2.6	0.46
79 12 37	1000	25	70	28	11	3.8	0.64
79 22 37	600	30	70	28	14	3.8	0.64
79 22 37	1100	30	80	32	14	6.0	1.0
79 32 37	600	30	80	32	14	6.0	1.0
79 32 37	1200	30	100	35	14	9.6	1.5
79 42 37	600	40	100	38	18	9.6	1.5
79 42 37	1200	40	130	42	18	15.6	2.4

Order details:
trapeze
type 79 .2 37, L = ...mm