

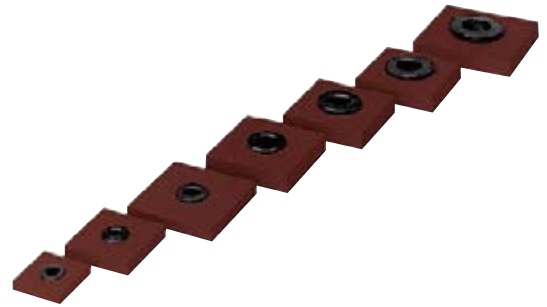
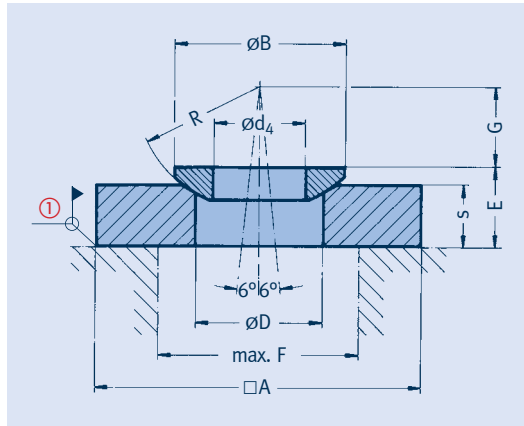
Weld-on plates with spherical washers Type 74

Weld-on plates with spherical washers type 74 D1 19 to 74 50 13

Material spherical washers:
case-hardened steel.

From load group 5: C15
weld-on plate: S235JR.

For $s \geq 20$: S355J2.



① LISEGA recommends tack
welding of the weld-on plate
for fixing positions or welding
all round as specified.

type	for thread	$\square A$	$\varnothing B$	$\varnothing D$	$\varnothing d_4$	E	max. F	G	R	s	weight [kg]
74 D1 19	M10	60	21	15	10.5	12	35	10	15	10	0.3
74 21 13	M12	70	24	18	13	17	40	11	17	15	0.6
74 31 13	M16	70	30	25	17	17	45	15	22	15	0.6
74 32 13	M16	95	30	25	17	22	45	15	22	20	1.4
74 33 13	M16	130	30	25	17	22	45	15	22	20	2.7
74 41 13	M20	70	36	30	21	18	50	18	27	15	0.6
74 42 13	M20	95	36	30	21	23	50	18	27	20	1.4
74 43 13	M20	130	36	30	21	23	50	18	27	20	2.7
74 51 13	M24	95	44	35	25	24	55	21	32	20	1.4
74 52 13	M24	130	44	35	25	24	55	21	32	20	2.7
74 61 13	M30	130	56	45	31	35	60	27	41	30	4.0
74 62 13	M30	170	56	45	31	35	60	27	41	30	6.8
74 71 13	M36	130	68	50	37	37	70	32	50	30	4.0
74 72 13	M36	170	68	50	37	37	70	32	50	30	6.8
74 81 13	M42	130	78	59	43	39	90	37	58	30	4.0
74 82 13	M42	170	78	59	43	39	90	37	58	30	6.8
74 91 13	M48	130	92	66	50	46	120	41	67	35	4.5
74 92 13	M48	170	92	66	50	41	120	41	67	30	6.8
74 10 13	M56x4	225	103	76	58	47	140	50	79	35	13.9
74 20 13	M64x4	250	120	89	66	54	150	59	93	40	19.6
74 30 13	M68x4	250	128	95	70	61	160	64	100	45	22.0
74 40 13	M72x4	300	136	98	75	61	160	70	107	45	31.8
74 50 13	M80x4	350	152	110	83	64	180	78	120	45	43.3

Order details:

weld-on plate with spherical
washer type 74 .. 1.