

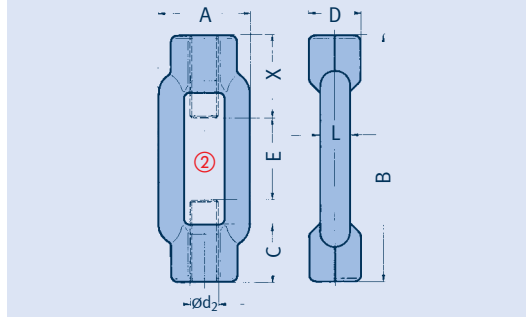
Turnbuckles Type 62

Rod couplings Type 64

Turnbuckles type 62 D9 19 to 62 50 15

Material: S235JR
drop-forged.

From load group 10
flame-cut design
material: S355J2.



① One side right-hand,
other side left-hand thread.

② The ends of the threaded rods
must not come into contact.

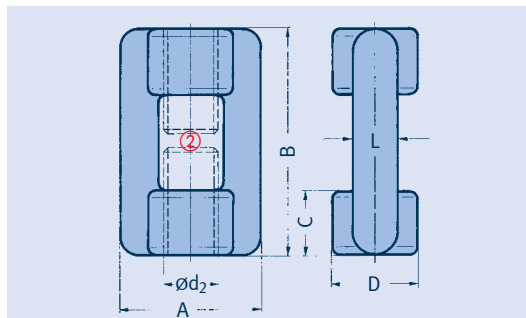
type	A	B	C	SW	$\varnothing d_2$ ①	E	L	X	weight [kg]
62 D9 19	30	125	18	16	M10	35	9x 8	45	0.15
62 29 12	34	125	21	18	M12	35	11x 9	45	0.20
62 39 19	42	150	27	24	M16	50	14x11	50	0.40
62 49 19	52	170	33	30	M20	60	17x14	55	0.70
62 59 19	62	240	39	36	M24	80	22x17	80	1.20
62 69 12	74	255	45	46	M30	85	23x20	85	1.80
62 79 12	86	295	55	55	M36	95	28x23	100	3.00
62 89 12	104	330	63	65	M42	100	32x27	115	4.80
62 99 12	130	355	75	75	M48	105	40x35	125	7.80
62 10 15	110	300	60	80	M56x4	80	80x23	110	10.00
62 20 15	130	320	70	90	M64x4	80	90x28	120	15.00
62 30 15	140	330	75	100	M68x4	80	100x30	125	18.00
62 40 15	150	390	80	100	M72x4	90	100x33	150	22.00
62 50 15	165	410	90	120	M80x4	90	120x37	160	32.00

Order details:
turnbuckle
type 62..1.

Rod coupling type 64 D9 19 to 64 50 15

Material: S235JR
drop-forged.

From load group 10
flame-cut design
material: S355J2.



type	A	B	C	D	$\varnothing d_2$	L	weight [kg]
64 D9 19	34	45	15	21	M10	11x 9	0.1
64 29 18	34	45	15	21	M12	11x 9	0.1
64 39 18	42	60	20	27	M16	14x11	0.2
64 49 18	52	75	25	32	M20	17x14	0.5
64 59 18	62	90	30	39	M24	22x17	0.7
64 69 18	74	105	35	45	M30	23x20	1.2
64 79 18	86	120	40	55	M36	28x23	1.6
64 89 18	104	150	50	63	M42	32x27	2.6
64 99 18	130	180	60	75	M48	40x35	5.1
64 10 15	110	190	60	80	M56x4	80x23	7.0
64 20 15	130	220	70	90	M64x4	90x28	11.0
64 30 15	140	240	75	100	M68x4	100x30	14.0
64 40 15	150	250	80	100	M72x4	100x33	15.0
64 50 15	165	280	90	120	M80x4	120x37	23.0

Order details:
rod coupling
type 64 .. 1.