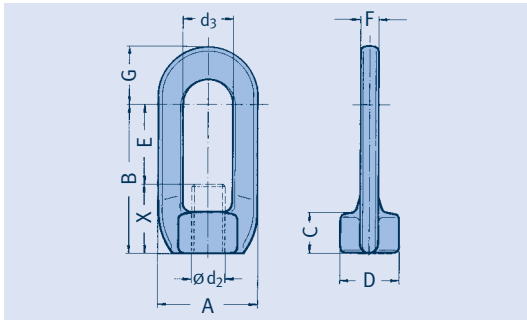


Eye nuts Type 60 Threaded clevises with pin Type 61



Eye nuts type 60 D9 19 to 60 50 12

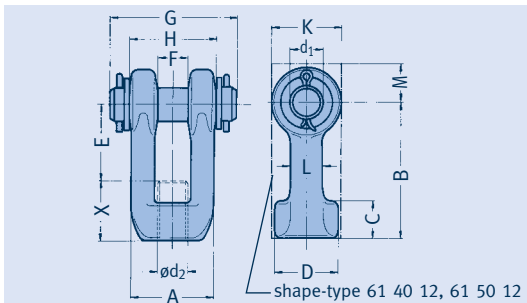
Material: P250GH
drop-forged.

From load group 40
welded design
material: S355J2.

type	A	B	C	D	ød ₂	d ₃	E	F	G	X	weight [kg]
60 D9 19	24	40	11	17	M10	13	25	5	15	15	0.05
60 29 12	33	60	15	24	M12	17	40	6	19	20	0.10
60 39 12	44	75	20	30	M16	25	45	10	26	30	0.20
60 49 12	59	90	25	35	M20	29	55	10	35	35	0.40
60 59 12	72	110	30	44	M24	35	65	15	44	45	0.80
60 69 12	88	127	37	50	M30	42	75	17	54	52	1.20
60 79 12	100	140	45	60	M36	47	75	20	62	65	2.00
60 89 12	110	157	52	70	M42	52	85	25	72	72	2.90
60 99 12	120	180	60	80	M48	62	85	30	78	95	4.70
60 10 12	135	200	65	95	M56x4	62	105	40	80	95	7.70
60 20 12	150	230	70	105	M64x4	72	130	40	85	100	8.80
60 30 12	160	230	70	110	M68x4	72	130	40	90	100	9.30
60 40 12	220	250	120	125	M72x4	82	100	50	110	150	27.00
60 50 12	250	280	140	140	M80x4	92	120	60	125	160	45.00

Order details:

eye nuts
type 60..1.



Threaded clevises with pin type 61 D9 19 to 61 50 12

Material: P250GH

From load group 10 and
further material: S355J2,
drop-forged.

From load group 40 and
further flame-cut design
material: S355J2.

type	A	B	C	D	ød ₁	ød ₂	E	F	G	H	K	L	M	X	weight [kg]
61 D9 19	23	50	11	17	10	M10	35	11	50	25	21	5x9	-	15	0.1
61 29 12	33	70	15	25	12	M12	50	12	60	34	24	8x12	-	20	0.2
61 39 12	42	80	20	33	16	M16	50	17	70	44	32	11x15	-	30	0.4
61 49 12	55	90	25	40	20	M20	55	20	90	57	46	16x21	-	35	1.0
61 59 12	65	110	30	46	24	M24	65	22	105	68	53	19x25	-	45	1.6
61 69 12	72	130	35	51	33	M30	80	27	125	80	64	19x29	-	50	2.7
61 79 12	85	150	40	61	40	M36	90	32	140	93	80	22x36	-	60	4.4
61 89 12	100	170	50	72	45	M42	100	37	165	110	90	27x40	-	70	7.2
61 99 12	120	180	60	83	50	M48	95	42	185	130	100	33x44	-	85	10.4
61 10 12	130	215	65	90	60	M56x4	120	50	210	150	120	30x45	-	95	14.8
61 20 12	155	230	70	110	70	M64x4	130	60	245	175	150	35x55	-	100	24.4
61 30 12	155	230	70	110	70	M68x4	125	60	245	175	150	35x55	-	105	24.4
61 40 12	150	240	80	-	80	M72x4	130	56	230	150	150	-	90	110	42.0
61 50 12	165	260	90	-	90	M80x4	140	64	240	165	180	-	110	120	60.0

Bolts

C35E+QT complete with
split pins DIN EN ISO 1234
and washers DIN 1441.

From load group 40 and
further material: S355J2.

Order details:

threaded clevises with pin
type 61..1.