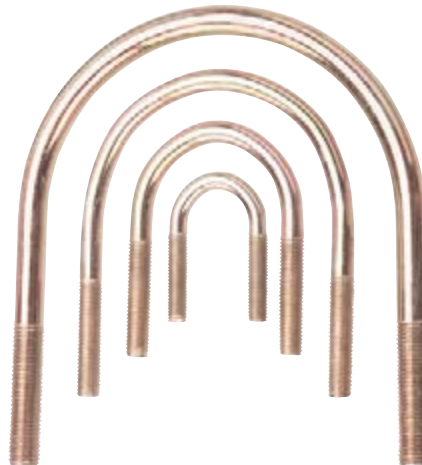
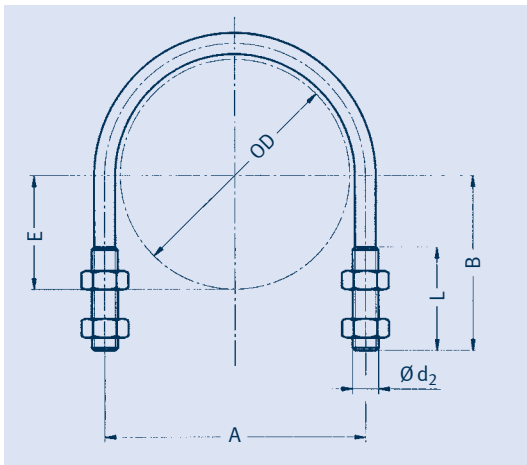


U-bolts Type 40



U-bolts type 40 01 .8 to 40 91 .8

Type 40 mainly serves to fasten warm pipe systems of max. 80°C to existing steel structures.

type	OD	A	B	d ₂ x L	E	weight [kg]
40 01 .8	21.3	30	70	M6 x 65	11	0.05
40 02 .8	26.9	35	70	M6 x 65	13	0.05
40 03 .8	33.7	40	70	M6 x 65	17	0.05
40 04 .8	42.4	53	75	M10 x 65	21	0.15
40 05 .8	48.3	60	75	M10 x 65	24	0.16
40 06 .8	60.3	72	85	M10 x 70	30	0.18
40 07 .8	73.0	87	95	M12 x 75	37	0.30
40 08 .8	76.1	91	95	M12 x 75	38	0.31
40 09 .8	88.9	103	100	M12 x 75	44	0.32
40 10 .8	108.0	123	115	M12 x 75	54	0.36
40 11 .8	114.3	130	115	M12 x 75	57	0.37
40 14 .8	139.7	155	130	M12 x 75	70	0.42
40 17 .8	168.3	188	155	M16 x 95	84	0.91
40 22 .8	219.1	238	180	M16 x 95	110	1.08
40 27 .8	273.0	295	215	M20 x 110	137	2.07
40 32 .8	323.9	350	245	M20 x 110	162	2.35
40 36 .8	355.6	381	260	M20 x 110	178	2.55
40 41 .8	406.4	432	285	M20 x 110	203	2.80
40 46 .8	457.2	485	320	M24 x 125	229	4.55
40 51 .8	508.0	537	345	M24 x 125	254	4.90
40 61 .8	609.6	638	395	M24 x 125	305	5.70
40 71 .8	711.2	740	450	M24 x 125	356	6.50
40 76 .8	762.0	790	475	M24 x 125	381	6.90
40 91 .8	914.4	943	550	M24 x 125	457	8.00

→ 5th digit: 1 = S235JR
3 = X5CrNi18-10



Order details:
type 40 .. .8

Scope of delivery:
incl. 4 nuts