

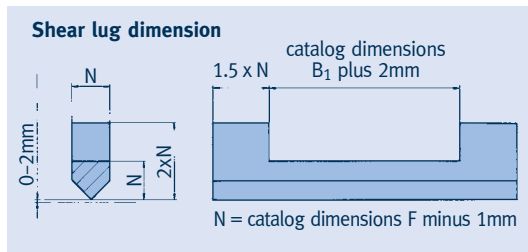
Shear lugs Type 3L

The shear lugs secure the position of the dynamic clamps in the expected direction of force and are practically unstressed. Even in a load case, friction forces from the pipe-clamp-contact ensure firm positioning. Lateral forces are negligible.

Due to the minimal forces to be absorbed, the weld seam stresses can be kept at a low level, despite the small dimensions of the shear lugs. As a rule they lie under 35% of the yield strength or creep stress limit for Load Case H according to the permissible ASME or DIN values.

Selection

The selection of suitable shear lugs is made after selection of the dynamic clamp and the corresponding dimensions F and B1 according to the selection tables of dynamic clamps on pages 3.29 – 3.43



The specified materials for the shear lugs are materials delivered from stock and delivered at short notice. The customer is responsible for the suitability of the pipe material on hand and for the weld seam sizes.

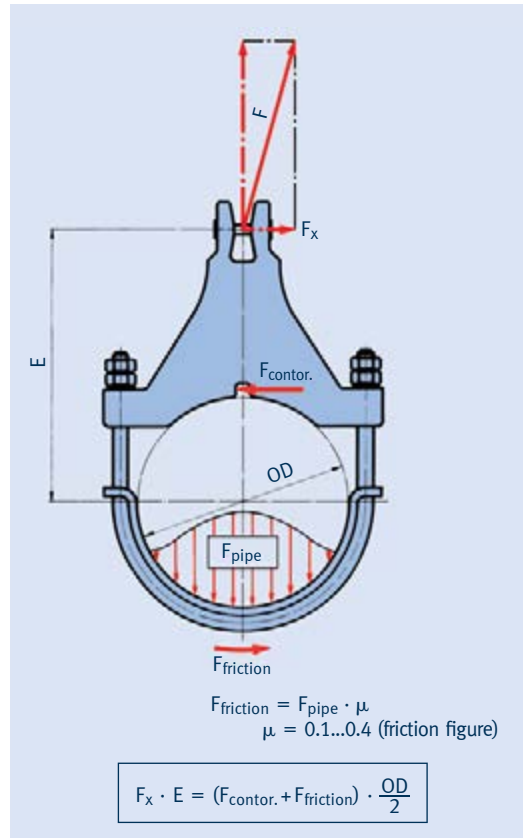
type number						7 th place	8 th place	material ①	
1 st place	2 nd place	3 rd place	4 th place	5 th place	6 th place				
3	L	—	0	1	S235JR
3 rd – 6 th places of pipe dampers						—	0	2	S355J2
type numbers e.g.: 36 22 31						—	0	3	16Mo3
						—	0	4	13CrMo4-5
						—	0	5	10CrMo9-10
						—	0	6	X10CrMoVNb9-1

① Different materials on request.

Order example

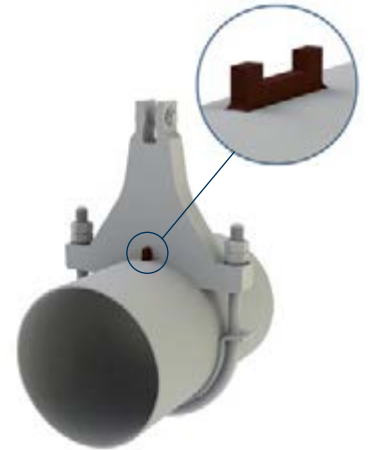
For shear lug on a pipe clamp type 36 22 31 for a pipe made from material 13CrMo4-5:

Order number 3L 22 31-04



Force distribution in a dynamic clamp with shear lug

To secure dynamic clamps type 36/37 against misalignment due to compressive stress and off-axis load applications, LISEGA offers standardized shear lugs.



Order details:
shear lug
type 3L