

# Installation extensions Type 33

**Installation extensions  
type 33 18 18 to 33 03 12**  
Serial standard design.

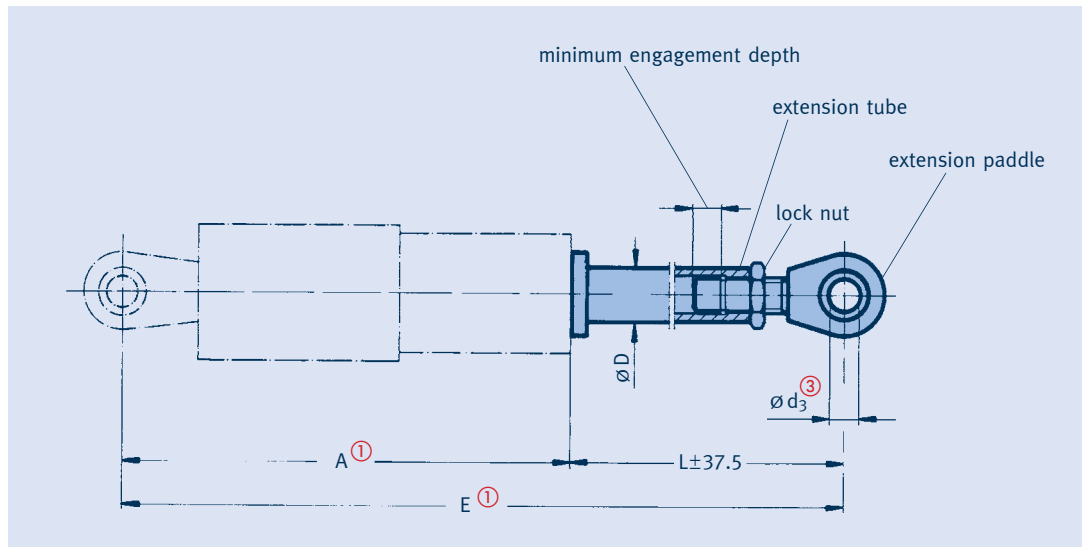
Type 33 extensions are used if greater installation lengths are required.

Connection to the snubber or energy absorber is made at the cylinder base. By means of serially-produced screw connections the change over easily be made from standard connecting lugs to extensions. This also applies to special connections, which are particularly useful when exchanging other makes, as in this way the connections on site can still be used. Further connection possibilities can be found on p. 3.6.

Material:  
body P355NH

extension  
paddle P250GH  
C45E+QT  
S355J2

**Order details:**  
installation extension  
type 33 ...  
L = ...mm for  
hydr. snubber  
or energy absorber



type	nom. load [kN]	snubber stroke	A ①	Ød <sub>3</sub> ③	D max	E ①②		L±37.5 ②		weight [kg]	
						min	max	min	max	L <sub>min</sub>	+per 100mm
33 18 18	3	100	240	10	25	445	760	205	520	0.80	0.39
33 38 18	8	100	315	12	30	515	760	200	445	1.00	0.55
33 39 18	8	200	460	12	30	660	690	200	230	1.00	0.55
33 42 18	18	150	412	15	35	617	1175	205	763	1.60	0.75
33 43 18	18	300	635	15	35	840	930	205	295	1.60	0.75
33 52 13	46	150	455	20	49	720	1405	265	950	3.70	0.73
33 53 13	46	300	680	20	49	945	1180	265	500	3.70	0.73
33 62 18	100	150	510	30	64	780	1900	270	1390	6.00	2.00
33 63 18	100	300	735	30	64	1005	1700	270	965	6.00	2.00
33 72 18	200	150	560	50	83	875	2415	315	1855	12.00	3.20
33 73 18	200	300	785	50	83	1100	2040	315	1255	12.00	3.20
33 82 18	350	150	640	60	102	1030	2400	390	1760	22.50	4.75
33 83 18	350	300	865	60	102	1255	2320	390	1455	22.50	4.75
33 92 13	550	150	670	70	115	1155	1670	485	1000	41.00	5.50
					127	1671	2870	1001	2200	44.50	7.20
33 93 13	550	300	895	70	115	1380	1695	485	800	41.00	5.50
					127	1696	2795	801	1900	44.50	7.20
33 02 12	1000	150	770	100	160	1415	2300	645	1530	92.00	9.50
33 03 12	1000	300	995	100	160	1640	2325	645	1330	92.00	9.50

① For middle piston position.

② Installation dimensions larger than 'E' max. possible on load reduction. Smaller 'L' dimensions can also be supplied without adjustment possibility.

③ Connection possibilities: see bolt diameters of weld-on brackets type 35 or dynamic clamps in product group 3.