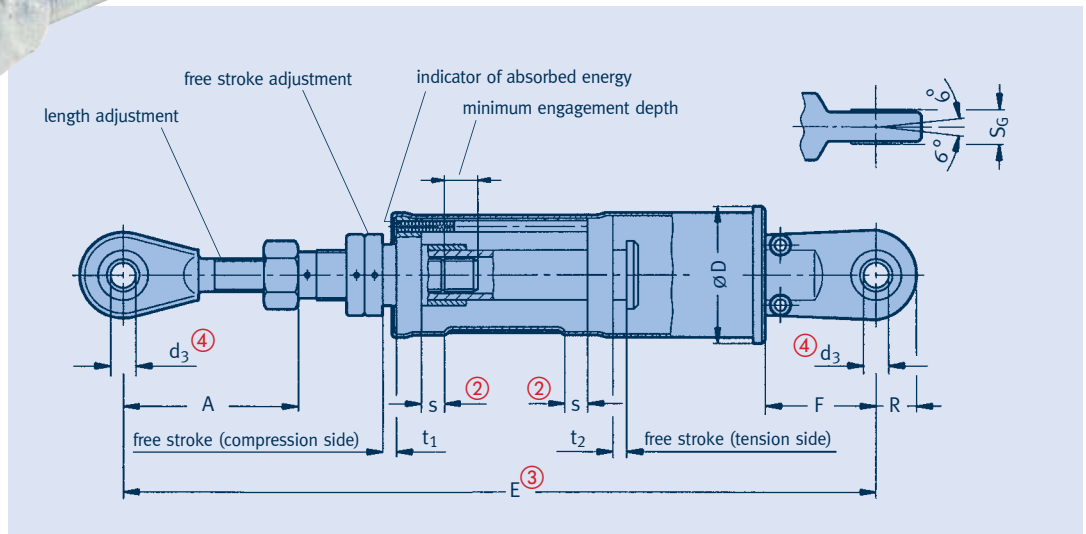


Energy absorber Type 32

**Energy absorber
type 32 18 16 to 32 92 16**
Serial standard design.



① If the nominal load is exceeded, the increasing force and displacement are transformed into deformation energy.

② Max. deformation travel in compression and tension directions.

③ 'E' dimensions on middle position of the free strokes t_1/t_2 and length adjustment 'A' dimension. If t_2 changes, the 'E' dimension is correspondingly reduced or increased.

④ Connection possibilities: see bolt diameters of weld-on brackets Type 35 or dynamic clamps in Product Group 3.

type	nom. load [kN] ①	s ②	t_1	t_2	$\varnothing D$	$\varnothing d_3$ ④	E ③	A	F	R	S_G	weight [kg]
32 18 16	3	5.0	0-20	0-20	56	10	300	85 ± 50	18	15	9	0.8
32 38 16	8	5.0	0-22	0-22	60	12	355	95 ± 50	50	20	10	1.8
32 42 16	18	5.0	0-25	0-25	80	15	440	125 ± 75	58	22.5	12	3.6
32 52 16	46	5.0	0-25	0-25	115	20	490	150 ± 75	65	30	16	11.5
32 62 16	100	6.5	0-25	0-25	130	30	575	165 ± 75	100	45	22	18.5
32 72 16	200	9.5	0-28	0-28	195	50	715	175 ± 75	130	60	35	47.0
32 82 16	350	12.5	0-30	0-30	250	60	945	225 ± 75	165	75	44	105.0
32 92 16	550							on request				

Individual application

The standard designs shown in the table above represents only part of the suppliable range. The products can be adapted by LISEGA to the particular requirements of the user.

This applies especially to those cases where loads and strokes exceed standard parameters.

Order details:
energy absorber
type 32 .. 16
 $t_1 = \dots\text{mm}$, $t_2 = \dots\text{mm}$
marking: ...