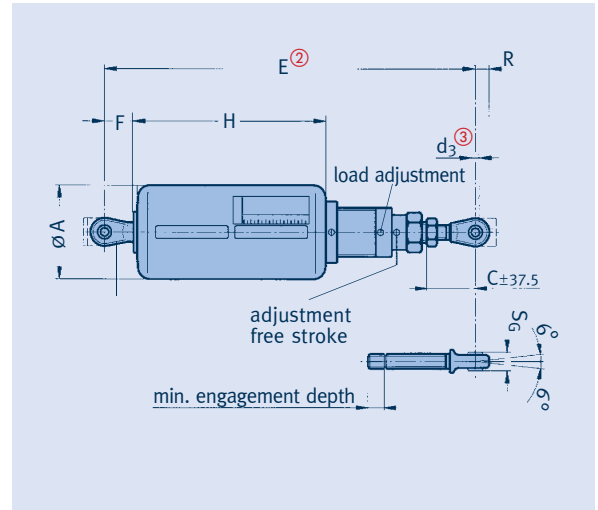


Sway braces Type 27

Sway braces type 27 D2 19 to 27 62 19

The maximum working travel including free stroke amounts to $\pm 25\text{mm}$

- ① Load adjustment is made ex works acc. to customer specifications.
- ② The 'E' dimension is independent of the load adjustment; adjustment possibility $\pm 37.5\text{mm}$
- ③ Connection possibilities: see bolt diameter of weld-on brackets type 35 or dynamic clamps in Product Group 3.



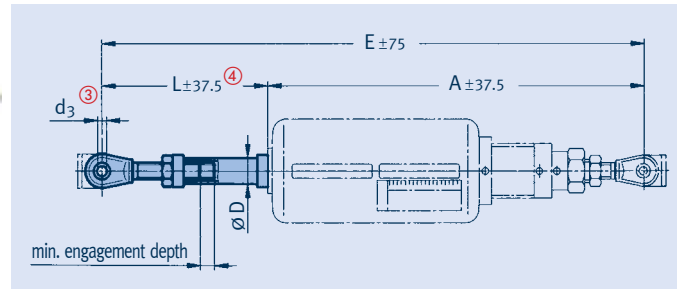
type	nominal load [kN]	set load ① [kN] min	set load ① [kN] max	spring rate [N/mm]	$\varnothing A$	$C_{\pm 37.5}$	$\varnothing d_3$ ③	E ②	F	H	R	S_G	weld-on bracket type ③	weight [kg]
27 D2 19	0.52	0.12	0.42	4.1	90	90	10	640	50	295	15	9	35 29 13	5.5
27 12 19	1.25	0.41	1.04	8.3	90	90	10	640	50	295	15	9	35 29 13	5.8
27 22 19	2.50	0.83	2.08	16.6	115	90	12	650	50	300	19	10	35 39 13	10.0
27 32 19	5.00	1.66	4.16	33.3	115	90	15	665	55	305	21	12	35 49 13	11.0
27 42 19	10.00	3.33	8.33	66.6	155	90	15	730	55	355	21	12	35 49 13	23.0
27 52 19	20.00	6.66	16.66	133.3	180	100	20	810	75	380	30	16	35 59 19	39.0
27 62 19	40.00	13.33	33.33	266.6	220	100	20	875	75	445	30	16	35 59 19	62.0

Order details:

sway brace type 27 .2 19
marking: ...
set load: ...kN
travel: ...mm up/down

Extension for sway brace type 27 D9 19 to 27 69 19

If required, sway braces can be supplied with installation extensions mounted at the factory.

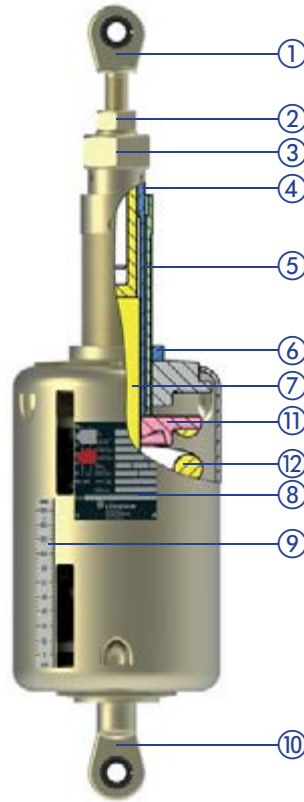
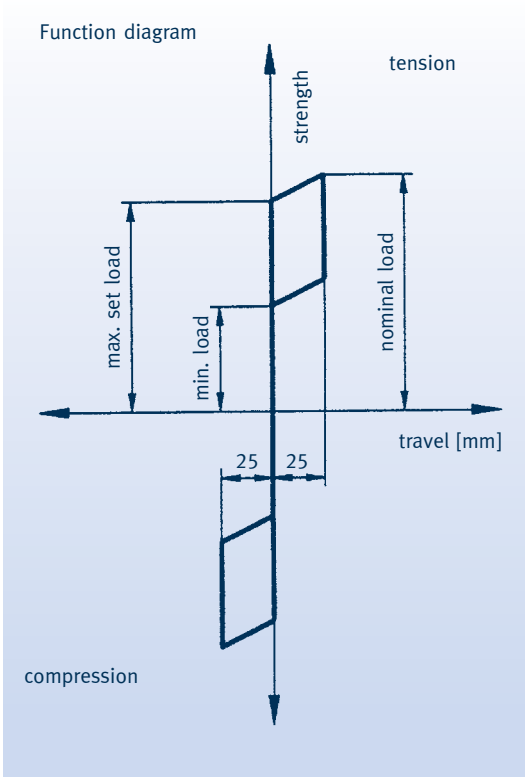


- ④ Installation dimensions > Emax on load reduction possible. Shorter L dimensions can be supplied, but then without adjustment possibility of $\pm 37.5\text{mm}$.

type	$A_{\pm 37.5}$	$\varnothing D$	$\varnothing d_3$ ③	$E_{\pm 75}$		$L_{\pm 37.5}$ ④		weight for L_{\min} [kg]	pipe [kg/m]
				min	max	min	max		
27 D9 19	590	42	10	790	1600	200	1010	1.1	3.8
27 19 19	590	42	10	790	1600	200	1010	1.1	3.8
27 29 19	600	48	12	805	2000	205	1400	1.3	4.4
27 39 19	610	60	15	825	2000	215	1390	2.5	8.4
27 49 19	675	60	15	890	2000	215	1325	2.5	8.4
27 59 19	735	76	20	1005	2400	270	1665	8.0	14.6
27 69 19	800	76	20	1070	2400	270	1600	8.0	14.6

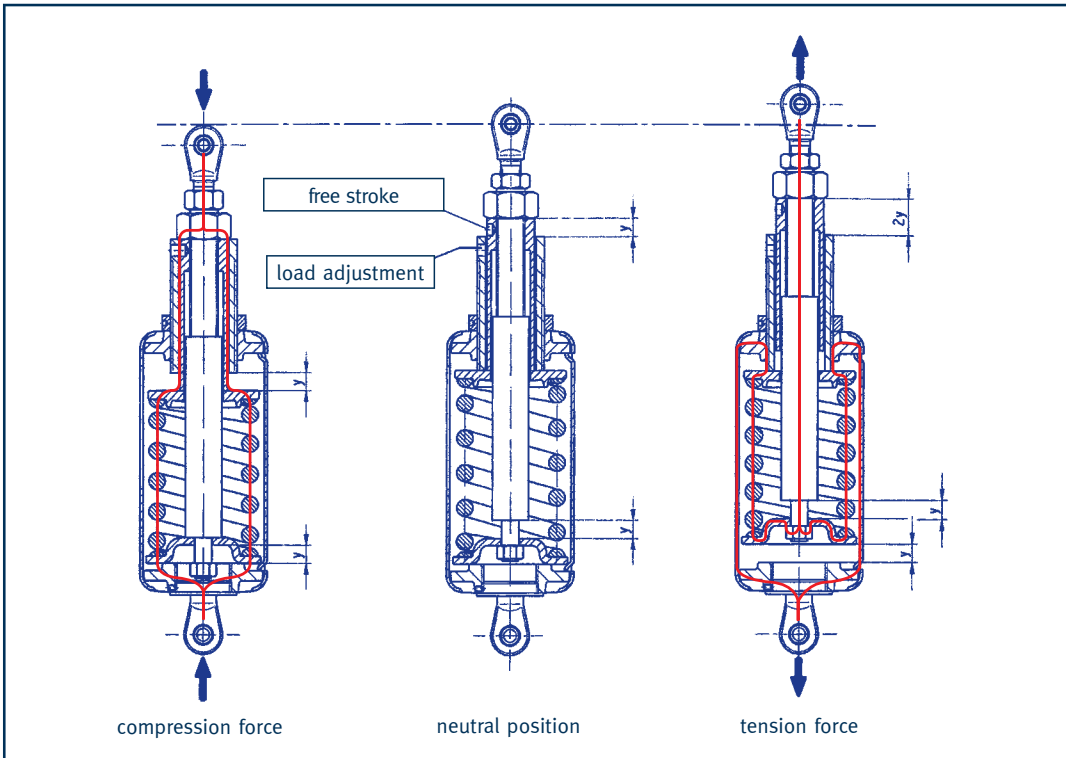
Order details:

extension for sway brace
type 27 .9 19
L dimension: ...mm



- ① upper ball bushing joint
- ② lock nut
- ③ lock nut
- ④ guide pipe
- ⑤ threaded pipe
- ⑥ lock nut
- ⑦ guide rod
- ⑧ type plate with travel scale
- ⑨ travel scale
- ⑩ lower ball bushing joint
- ⑪ spring plate
- ⑫ spring

Load and installation length are adjustable for the respective requirements (see installation and operating instructions).



For LISEGA sway braces a free stroke of 0 – 25mm can be set. The travel is reduced in compression and tension directions in accordance with the free stroke selected.

Load transmission on alternating force direction