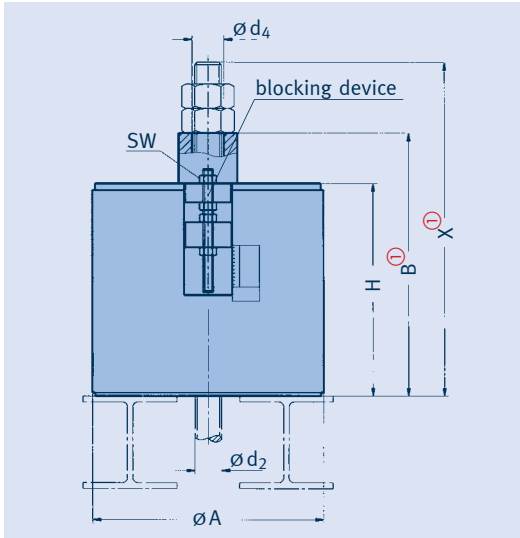


# Heavy duty spring hangers

## Type 26



Spring hangers for seating  
type 26 11 19 to 26 53 19

type	$\varnothing A$	$B$ ①	$\varnothing d_2$	$\varnothing d_4$	H	SW	$X_{max}$ ①	weight [kg]
26 11 19	510	395	M56x4	60	345	46	530	205
26 12 19	510	565	M56x4	60	465	46	700	235
26 13 19	510	945	M56x4	60	745	46	1080	310
26 21 19	560	405	M64x4	70	355	46	560	265
26 22 19	560	575	M64x4	70	475	46	730	300
26 23 19	560	955	M64x4	70	755	46	1110	390
26 31 19	610	420	M68x4	70	370	46	585	345
26 32 19	610	590	M68x4	70	490	46	755	390
26 33 19	610	970	M68x4	70	770	46	1135	490
26 41 19	610	470	M72x4	80	420	55	645	395
26 42 19	610	650	M72x4	80	550	55	825	450
26 43 19	610	1025	M72x4	80	825	55	1200	555
26 51 19	610	530	M80x4	90	480	65	725	465
26 52 19	610	750	M80x4	90	650	65	945	545
26 53 19	610	1220	M80x4	90	1020	65	1415	725

① Dimensions B and X are reduced on loading by the corresponding spring travel (see load table on p. 2.6).



Spring assemblies as special design for use on a power station boiler.

**Order details:**  
spring hangers type 26  
marking: ...  
set load: ...kN  
travel: ...mm up/down