

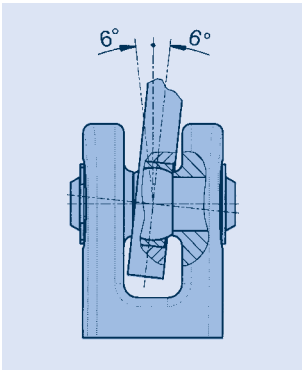
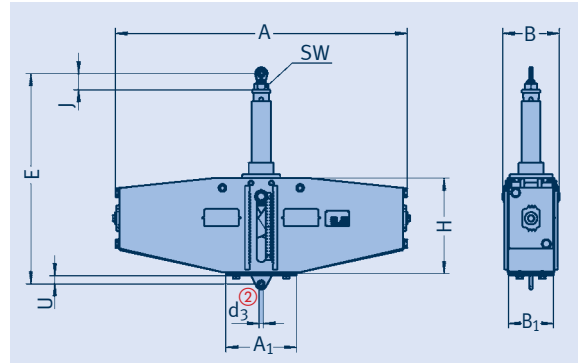
# Angulating constant supports

## Type 19

### Angulating constant supports type 19 D3 37 to 19 93 37

Standard design, delivery from stock.

For large horizontal displacements in the pipe systems the constant supports can be fitted with ball bushing joints.



The ball bushing joints for the connection are designed to fit weld-on bracket type 35.

① Dimension E on blocking position right at top, in other blocking positions E shortens accordingly and allows adjustment of +200mm.

② Connection possibilities: See bolt diameter of weld-on brackets type 35 or dynamic clamps (Product Group 3).

Max. permissible stresses:

- Emergency (HZ) at 80°C = Calibration load x 1.33
- Faulted condition (HS) at 150°C = Calibration load x 1.66
- Max. blocking load at 80°C = Calibration load x 1.5.

#### Order details:

angulating constant support type 19 ...  
 marking: ...  
 calibration load: ...kN  
 travel: ...mm up/down  
 blocking position (as required): ...mm

type	min. load [kN]	max. load [kN]	travel	A	A <sub>1</sub>	B	B <sub>1</sub>	d <sub>3</sub> ②	E ①	J	H	SW	U	weight [kg]
19 D3 37	0.21	0.51	300	973	245	205	163	10	903	45	430	27	23	58
19 D1 47	0.21	0.72	75	610	245	205	163	10	480	45	234	27	23	35
19 D2 47	0.21	0.72	150	664	245	205	163	10	590	45	270	27	23	40
19 D3 47	0.37	0.72	300	973	245	205	163	10	903	45	430	27	23	58
19 11 47	0.54	1.71	75	610	245	205	163	10	480	45	234	27	23	35
19 12 47	0.54	1.71	150	664	245	205	163	10	590	45	270	27	23	40
19 13 47	0.54	1.71	300	973	245	205	163	10	903	45	430	27	23	63
19 21 37	1.25	3.0	75	610	245	205	163	12	490	53	234	34	25	36
19 22 37	1.25	3.0	150	664	245	205	163	12	600	53	270	34	25	44
19 23 37	1.25	3.0	300	973	245	205	163	12	913	53	430	34	25	64
19 21 47	2.2	4.0	75	610	245	205	163	12	490	53	234	34	25	36
19 22 47	2.2	4.0	150	664	245	205	163	12	600	53	270	34	25	44
19 23 47	2.2	4.0	300	973	245	205	163	12	913	53	430	34	25	64
19 31 37	2.8	5.15	75	652	245	205	163	15	512	59	244	36	30	41
19 32 37	2.8	5.15	150	837	300	233	189	15	632	59	293	36	30	81
19 33 37	2.8	5.15	300	1099	300	233	189	15	965	59	440	36	30	108
19 31 47	3.8	6.8	75	652	245	205	163	15	512	59	244	36	30	41
19 32 47	3.8	6.8	150	837	300	233	189	15	632	59	293	36	30	81
19 33 47	3.8	6.8	300	1099	300	233	189	15	965	59	440	36	30	108
19 41 37	5.0	9.3	75	755	300	233	189	15	561	59	286	36	30	76
19 42 37	5.0	9.3	150	934	290	261	205	15	663	59	302	36	30	111
19 43 37	5.0	9.3	300	1099	300	233	189	15	965	59	440	36	30	114
19 41 47	6.9	12.4	75	755	300	233	189	15	561	59	286	36	30	76
19 42 47	6.9	12.4	150	934	290	261	205	15	663	59	302	36	30	122
19 43 47	6.9	12.4	300	1288	290	261	205	15	982	59	455	36	30	169
19 51 37	9.2	16.2	75	755	300	233	189	20	609	80	286	60	40	83
19 52 37	9.2	16.2	150	934	290	261	205	20	700	80	302	60	40	129
19 53 37	9.2	16.2	300	1288	290	261	205	20	1020	80	455	60	40	172
19 51 47	11.9	21.9	75	812	290	261	205	20	613	80	290	60	40	109
19 52 47	11.9	21.9	150	1055	400	276	220	20	727	80	315	60	40	178
19 53 47	11.9	21.9	300	1426	400	276	220	20	1030	80	460	60	40	232
19 61 37	16.15	29.9	75	878	300	261	205	20	641	80	315	60	40	129
19 62 37	16.15	29.9	150	1140	400	291	220	20	732	80	333	60	40	209
19 63 37	16.15	29.9	300	1592	400	291	220	20	1035	80	467	60	40	283
19 61 47	22.1	40.5	75	878	300	261	205	20	641	80	315	60	40	132
19 62 47	22.1	40.5	150	1302	400	278	220	20	731	80	335	60	40	212
19 63 47	22.1	40.5	300	1720	400	302	220	20	1058	80	472	60	40	355
19 71 37	29.8	47.0	75	976	400	276	220	30	708	93	340	60	60	179
19 72 37	29.8	47.0	150	1446	400	291	233	30	781	93	343	60	60	255
19 73 37	29.8	47.0	300	1720	380	302	240	30	1094	93	472	60	60	374
19 71 47	35.0	60.0	75	1072	398	291	233	30	725	93	362	60	60	212
19 72 47	35.0	60.0	150	1570	400	302	240	30	810	93	370	60	60	320
19 73 47	35.0	60.0	300	1935	400	362	300	30	1156	93	513	60	60	534
19 81 37	44.2	80.0	75	1251	400	302	240	30	789	93	390	60	60	291
19 82 37	44.2	80.0	150	1805	400	362	300	30	881	93	413	60	60	523
19 83 37	44.2	80.0	300	1965	400	347	285	30	1238	93	547	60	60	747
19 91 37	59.0	100.0	75	1520	400	302	240	50	812	106	385	70	70	341
19 92 37	59.0	100.0	150	1805	400	362	300	50	904	106	413	70	70	528
19 93 37	59.0	100.0	300	1965	400	347	285	50	1261	106	547	70	70	778