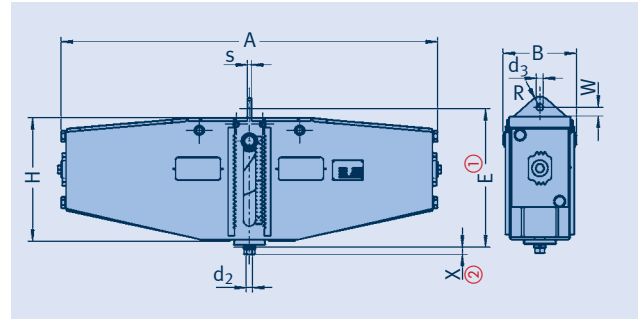


# Constant hangers Type 18

## Constant hangers

### type 18 D3 17 to 18 93 17

Standard design,  
delivery from stock.



① Dimension E in blocking position right at top – in other blocking positions E lengthens accordingly.

② X = minimum engagement depth. At lower connection max. engagement depth = X + 150mm.

Max. permissible stresses:

- Emergency (HZ) at 80°C = Calibration load x 1.33
- Faulted condition (HS) at 150°C = Calibration load x 1.66

type	min. load [kN]	max. load [kN]	travel	A	B	d <sub>2</sub>	d <sub>3</sub>	E <sup>①</sup>	H	R	s	W	X <sup>②</sup>	weight [kg]
18 D3 17	0.21	0.51	300	973	205	M10	17	464	430	25	10	24	15	52
18 D1 27	0.21	0.72	75	610	205	M10	17	267	234	25	10	24	15	30
18 D2 27	0.21	0.72	150	664	205	M10	17	304	270	25	10	24	15	34
18 D3 27	0.37	0.72	300	973	205	M10	17	464	430	25	10	24	15	52
18 11 27	0.54	1.71	75	610	205	M12	17	267	234	25	10	24	15	31
18 12 27	0.54	1.71	150	664	205	M12	17	304	270	25	10	24	15	35
18 13 27	0.54	1.71	300	973	205	M12	17	464	430	25	10	24	15	57
18 21 17	1.25	3.0	75	610	205	M12	17	267	234	25	10	24	15	32
18 22 17	1.25	3.0	150	664	205	M12	17	304	270	25	10	24	15	39
18 23 17	1.25	3.0	300	973	205	M12	17	464	430	25	10	24	15	57
18 21 27	2.2	4.0	75	610	205	M12	17	267	234	25	10	24	15	32
18 22 27	2.2	4.0	150	664	205	M12	17	304	270	25	10	24	15	39
18 23 27	2.2	4.0	300	973	205	M12	17	464	430	25	10	24	15	58
18 31 17	2.8	5.15	75	652	205	M16	21	282	244	30	10	36	20	36
18 32 17	2.8	5.15	150	837	233	M16	21	336	293	30	10	36	20	74
18 33 17	2.8	5.15	300	1099	233	M16	21	483	440	30	10	36	20	97
18 31 27	3.8	6.8	75	652	205	M16	21	282	244	30	10	36	20	36
18 32 27	3.8	6.8	150	837	233	M16	21	336	293	30	10	36	20	74
18 33 27	3.8	6.8	300	1099	233	M16	21	483	440	30	10	36	20	98
18 41 17	5.0	9.3	75	755	233	M20	21	328	286	30	10	36	25	69
18 42 17	5.0	9.3	150	934	261	M20	21	351	302	30	10	36	25	102
18 43 17	5.0	9.3	300	1099	233	M20	21	482	440	30	10	36	25	104
18 41 27	6.9	12.4	75	755	233	M20	25	331	286	40	15	32	25	70
18 42 27	6.9	12.4	150	934	261	M20	25	354	302	40	15	32	25	113
18 43 27	6.9	12.4	300	1288	261	M20	25	500	455	40	15	32	25	152
18 51 17	9.2	16.2	75	755	233	M24	25	330	286	40	15	32	30	71
18 52 17	9.2	16.2	150	934	261	M24	25	353	302	40	15	32	30	114
18 53 17	9.2	16.2	300	1288	261	M24	25	499	455	40	15	32	30	153
18 51 27	11.9	21.9	75	812	261	M24	25	334	290	40	15	32	30	96
18 52 27	11.9	21.9	150	1055	276	M24	25	372	315	40	15	34	30	159
18 53 27	11.9	21.9	300	1426	276	M24	25	508	460	40	15	34	30	210
18 61 17	16.15	29.9	75	878	261	M30	34	358	315	50	18	34	35	115
18 62 17	16.15	29.9	150	1140	291	M30	34	380	333	50	18	34	35	190
18 63 17	16.15	29.9	300	1592	291	M30	34	514	467	50	18	34	35	261
18 61 27	22.1	40.5	75	878	261	M30	41	368	315	65	20	44	35	118
18 62 27	22.1	40.5	150	1302	278	M30	41	392	335	65	20	44	35	194
18 63 27	22.1	40.5	300	1720	302	M30	41	527	472	65	20	44	35	326
18 71 17	29.8	47.0	75	976	276	M36	41	395	340	65	20	44	45	158
18 72 17	29.8	47.0	150	1446	291	M36	41	398	343	65	20	44	45	230
18 73 17	29.8	47.0	300	1720	302	M36	41	578	472	65	20	44	45	341
18 71 27	35.0	60.0	75	1072	291	M36	41	417	362	65	22	44	45	190
18 72 27	35.0	60.0	150	1570	302	M36	41	425	370	65	22	44	45	296
18 73 27	35.0	60.0	300	1935	362	M36	41	571	513	65	22	44	45	498
18 81 17	44.2	80.0	75	1251	302	M42	51	462	390	80	25	64	50	269
18 82 17	44.2	80.0	150	1805	362	M42	51	486	413	80	25	64	50	482
18 83 17	44.2	80.0	300	1965	347	M42	51	621	547	80	25	64	50	691
18 91 17	59.0	100.0	75	1520	302	M48	51	457	385	80	25	64	60	316
18 92 17	59.0	100.0	150	1805	362	M48	51	486	413	80	25	64	60	484
18 93 17	59.0	100.0	300	1965	347	M48	51	621	547	80	25	64	60	719

## Order details:

constant hangers  
type 18 ...  
marking: ...  
calibration load: ...kN  
travel: ...mm up/down  
blocking position  
(as required): ...mm