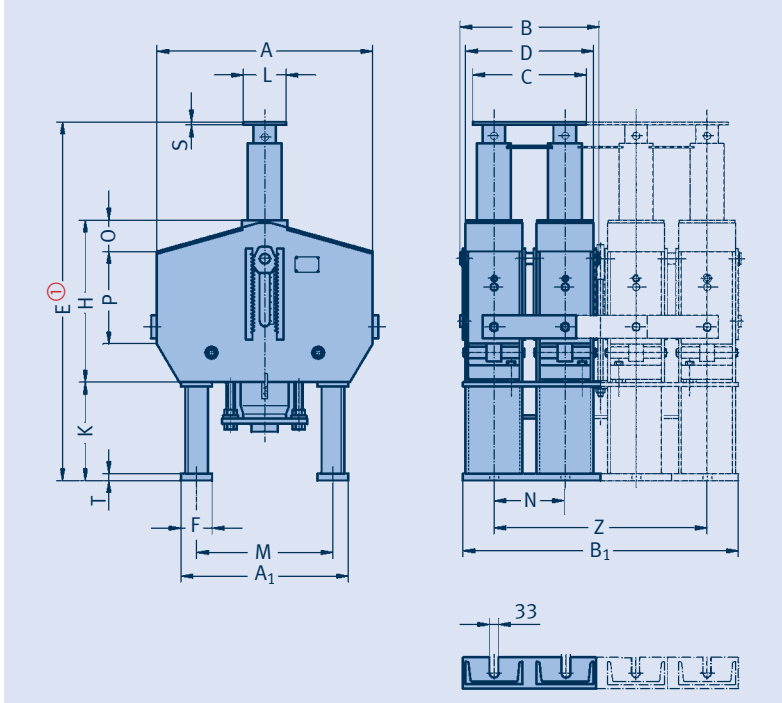


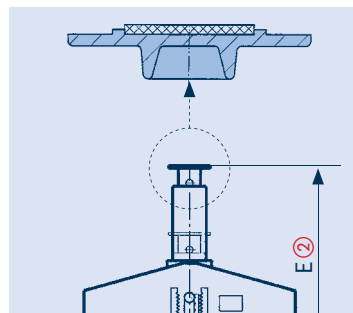
## Heavy duty constant supports Type 16

Heavy duty constant support  
types 16 82 29 to 16 93 49



type <sup>③</sup>	A	A <sub>1</sub>	B	B <sub>1</sub>	C	D	E <sup>①</sup>	E <sup>②</sup>	F	H	K	L	M	N	O	P	S	T	Z	weight [kg]
16 82 29	860	640	635	580	500	555	1120	1132	120	585	300	200	490	300	50	330	15	15	300	635
16 83 29	990	640	635	580	500	555	1855	1867	120	715	755	200	490	300	215	340	15	15	300	920
16 92 29	910	740	695	630	570	605	1190	1202	140	630	320	240	570	330	50	350	20	20	330	805
16 93 29	1140	740	695	630	570	605	1915	1927	140	785	745	240	570	330	250	355	20	20	330	1165
16 82 39	860	640	935	880	800	855	1120	1132	120	585	300	200	490	300	50	330	15	15	600	965
16 83 39	990	640	935	880	800	855	1855	1867	120	715	755	200	490	300	215	340	15	15	600	1395
16 92 39	910	740	1025	960	900	935	1190	1202	140	630	320	240	570	330	50	350	20	20	660	1220
16 93 39	1140	740	1025	960	900	935	1915	1927	140	785	745	240	570	330	250	355	20	20	660	1765
16 82 49	860	640	1235	1180	1100	1155	1120	1132	120	585	300	200	490	300	50	330	15	15	900	1295
16 83 49	990	640	1235	1180	1100	1155	1855	1867	120	715	755	200	490	300	215	340	15	15	900	1865
16 92 49	910	740	1355	1290	1230	1265	1190	1202	140	630	320	240	570	330	50	350	20	20	990	1635
16 93 49	1140	740	1355	1290	1230	1265	1915	1927	140	785	745	240	570	330	250	355	20	20	990	2365

- ① Dimension E in blocking position right at top – in other blocking positions E shortens accordingly and allows for adjustment of + 60mm.
- ② Dimension E for constant supports according to E ①, which are additionally fitted with a slide plate (friction value of the slide plates see p. 7.11).
- ③ Type 16 is supplied with a corrosion-protected load plate as standard. When using a slide plate up to 180°C operating temperature, the type number in the 6th digit is to be replaced by a 7 (e.g. 16 82 27), or up to 350°C by a 6 (e.g. 16 82 26).



Load plate with integrated slide plate

**Order details:**  
 constant support  
 type 16 ...  
 marking: ...  
 calibration load: ...kN  
 travel: ...mm up/down  
 blocking position  
 (as required): ...mm  
 slide plate (as required): ...