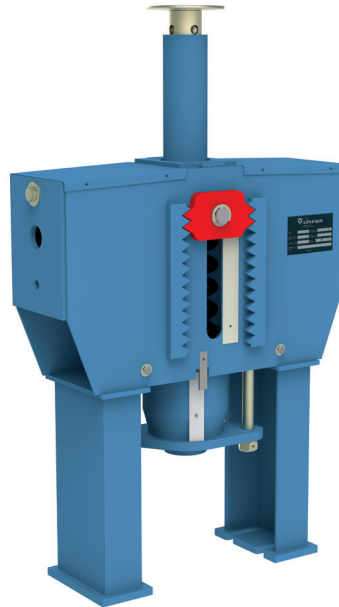
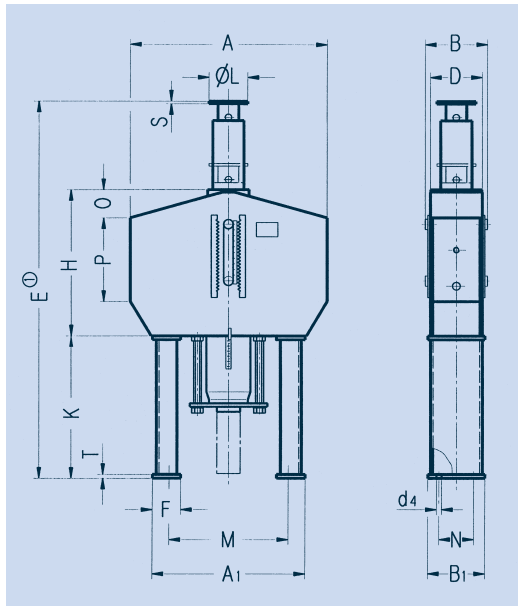


## Product group 1

### Constant support type 16



**Constant support**  
Type 16 D2 19 to type 16 93 15

Type	A	A1	B	B1	D	d4	E <sup>⊕</sup>	F	H	K	L	M	N	O	P	S	T	Wt. (kg)
16 D2 19	300	240	110	70	86	12	710	45	250	265	80	175	-	-	195	6	6	15
16 D3 19	410	260	130	70	106	12	1205	45	445	415	80	195	-	45	280	6	6	25
16 12 15	385	275	130	115	106	12	730	60	265	270	80	210	50	25	135	6	8	23
16 13 15	415	275	130	115	106	12	1300	60	445	515	80	210	50	20	270	6	8	39
16 22 15	445	340	160	140	132	12	735	75	270	270	100	260	65	20	140	6	8	33
16 23 15	460	340	160	140	132	12	1300	75	455	500	100	260	65	45	270	6	8	56
16 32 15	445	350	170	140	132	12	745	75	275	275	100	270	70	10	165	6	10	39
16 33 15	490	350	170	140	132	12	1330	75	470	515	100	270	70	70	260	6	10	64
16 42 15	500	390	185	160	150	14	805	80	315	280	120	300	80	25	260	8	10	59
16 43 15	570	390	185	160	150	14	1405	80	495	550	120	300	80	110	250	8	10	93
16 52 15	590	480	230	200	190	18	835	90	345	280	150	380	110	30	210	10	12	96
16 53 15	710	480	230	200	190	18	1435	90	515	555	150	380	110	105	285	10	12	155
16 62 15	725	570	275	250	230	23	920	110	420	285	170	450	135	40	240	10	12	164
16 63 15	815	570	275	250	230	23	1560	110	565	640	170	450	135	160	300	10	12	239
16 72 15	780	640	300	270	252	27	990	115	455	320	200	515	135	50	285	12	15	236
16 73 15	850	640	300	270	252	27	1625	115	635	625	200	515	135	140	300	12	15	334
16 82 15	815	640	320	280	256	33	1100	120	585	300	200	490	140	50	330	15	15	306
16 83 15	945	640	320	280	256	33	1835	120	715	755	200	490	140	215	340	15	15	449
16 92 15	865	740	350	300	276	33	1170	140	630	320	240	570	140	50	350	20	20	388
16 93 15	1095	740	350	300	276	33	1895	140	785	745	240	570	140	250	355	20	20	570

⊕ Dimension E at uppermost blocking position. At other blocking positions dimension E shortens accordingly but allows an adjustment of +60 mm.

⊗ Type 16 is supplied with a load plate. If required a PTFE slide plate can be supplied. The PTFE slide plate increases the dimension E by 2,5 mm.

#### Order details

Constant support

Type 16 ...

Marking:

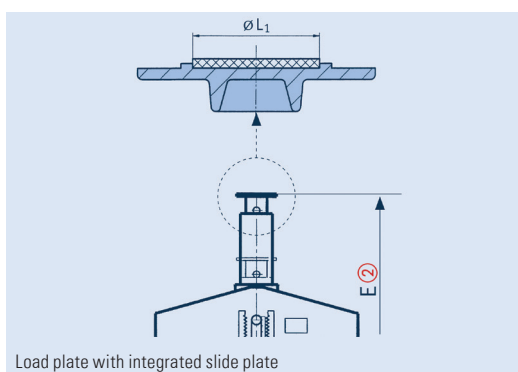
Operating load [kN]:

Travel [mm] up/down:

Blocking position (if required):

For horizontal load movements PTFE slide plates are recommended. Please refer to the table to the left.

When using PTFE sliding plates, the clamp bases should be equipped with a stainless steel counter plate. This is indicated by the extension „SP“ at the type designation of the clamp bases (e.g. clamp base type 49 22 25-SP).



Type 16* up to max. 180°C	Type 16* up to max. 350°C	ØL <sub>1</sub>
16 C. 17	16 C. 16	40
16 D. 17	16 D. 16	40
16 1. 17	16 1. 16	40
16 2. 17	16 2. 16	40
16 3. 17	16 3. 16	40
16 4. 17	16 4. 16	65
16 5. 17	16 5. 16	65
16 6. 17	16 6. 16	110
16 7. 17	16 7. 16	110
16 8. 17	16 8. 16	150
16 9. 17	16 9. 16	150

\* The friction coefficients of the slide plates are specified on page 7.11 of catalogue standard supports 2020

Design acc. to selection overview, refer to catalogue standard supports 2020 pages 1.13 and 1.14