

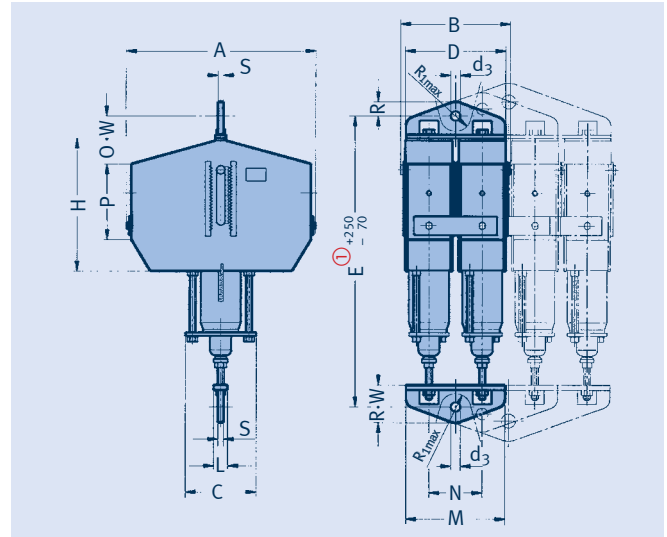
Constant hangers

Types 12-14

Constant hangers

type 12 82 35 to 14 96 35

Standard design, multi-cell arrangement, delivery from stock.



① Dimension E applies to upper blocking position, in other blocking positions E changes accordingly.

type	A	B	C	D	d ₃	E①	H	L	M	N	O	P	R	R _{1max}	S	W	weight [kg]
12 82 35	860	635	390	555	60	1205	585	80	540	300	50	330	90	95	30	160	615
12 83 35	990	635	390	555	60	1640	715	80	540	300	215	340	90	95	30	160	820
12 84 35	1155	635	400	555	60	2145	925	80	540	300	305	390	90	95	30	160	1110
12 85 35	1245	635	420	555	60	2585	1115	80	540	300	125	740	90	95	30	160	1555
12 86 35	1305	645	420	565	60	3085	1625	80	545	304	250	850	90	95	30	160	2020
12 92 35	910	695	435	605	70	1310	630	90	590	330	50	350	105	110	35	175	785
12 93 35	1140	695	435	605	70	1740	785	90	590	330	250	355	105	110	35	175	1070
12 94 35	1285	695	455	605	70	2285	960	90	590	330	380	380	105	110	35	175	1475
12 95 35	1300	705	455	615	70	2710	1090	90	595	334	250	585	105	110	35	175	1845
12 96 35	1350	705	455	615	70	3250	1620	90	595	334	290	800	105	110	35	175	2380
13 82 35	860	935	390	855	70	1305	585	80	840	2x300	50	330	105	125	35	210	955
13 83 35	990	935	390	855	70	1740	715	80	840	2x300	215	340	105	125	35	210	1265
13 84 35	1155	935	400	855	70	2245	925	80	840	2x300	305	390	105	125	35	210	1700
13 85 35	1245	935	420	855	70	2685	1115	80	840	2x300	125	740	105	125	35	210	2370
13 86 35	1305	950	420	870	70	3185	1625	80	850	2x304	250	850	105	125	35	210	3070
13 92 35	910	1025	435	935	80	1420	630	90	920	2x330	50	350	120	140	35	230	1215
13 93 35	1140	1025	435	935	80	1850	785	90	920	2x330	250	355	120	140	35	230	1640
13 94 35	1285	1025	455	935	80	2395	960	90	920	2x330	380	380	120	140	35	230	2245
13 95 35	1300	1040	455	950	80	2820	1090	90	930	2x334	250	585	120	140	35	230	2810
13 96 35	1350	1040	455	950	80	3360	1620	90	930	2x334	290	800	120	140	35	230	3615
14 82 35	860	1235	390	1155	80	1385	585	80	1140	3x300	50	330	120	180	35	250	1305
14 83 35	990	1235	390	1155	80	1820	715	80	1140	3x300	215	340	120	180	35	250	1715
14 84 35	1155	1235	400	1155	80	2325	925	80	1140	3x300	305	390	120	180	35	250	2300
14 85 35	1245	1235	420	1155	80	2765	1115	80	1140	3x300	125	740	120	180	35	250	3190
14 86 35	1305	1250	420	1170	80	3265	1625	80	1150	3x304	250	850	120	180	35	250	4125
14 92 35	910	1355	435	1265	90	1460	630	90	1250	3x330	50	350	135	180	40	250	1665
14 93 35	1140	1355	435	1265	90	1890	785	90	1250	3x330	250	355	135	180	40	250	2230
14 94 35	1285	1355	455	1265	90	2435	960	90	1250	3x330	380	380	135	180	40	250	3040
14 95 35	1300	1375	455	1280	90	2860	1090	90	1260	3x334	250	585	135	180	40	250	3790
14 96 35	1350	1375	455	1280	90	3400	1620	90	1260	3x334	290	800	135	180	40	250	4870

Order details:

constant hangers

type 1. ... 35

marking: ...

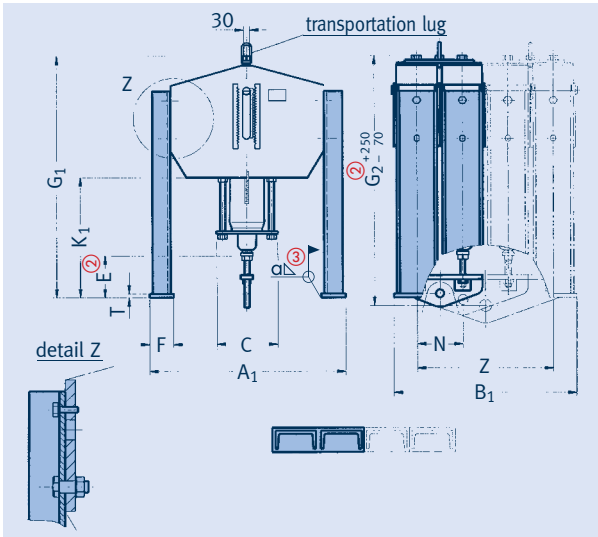
calibration load: ...kN

travel: ...mm up/down

blocking position

(as required): ...mm

Support brackets Type 71 for constant hangers Type 12-14



**Support brackets for
constant hangers
type 12-14
type 71 82 .2 to 71 96 .4**
Standard design,
delivery from stock.

constant h. type	bracket type ①	A ₁	B ₁	C	E ②	F	G ₁	G ₂ ②	K ₁	N	T	U	Z	α ③	weight [kg]
12 82 35	71 82 .2	1025	580	390	180	120	985	1095	350	300	15	240	300	4	142
12 83 35	71 83 .2	1155	580	390	300	120	1540	1530	775	300	15	240	300	4	194
12 84 35	71 84 .2	1320	600	400	420	120	2175	2040	1190	300	15	260	300	4	292
12 85 35	71 85 .2	1410	620	420	540	120	2730	2480	1560	300	15	280	300	4	383
12 86 35	71 86 .2	1470	620	420	270	120	2960	2980	1280	304	15	280	304	4	383
12 92 35	71 92 .2	1105	630	435	190	140	1070	1190	380	330	20	260	330	5	181
12 93 35	71 93 .2	1335	630	435	310	140	1615	1620	775	330	20	260	330	5	235
12 94 35	71 94 .2	1480	650	455	430	140	2285	2170	1265	330	20	280	330	5	341
12 95 35	71 95 .2	1495	675	455	550	140	2830	2595	1680	334	20	320	334	5	574
12 96 35	71 96 .2	1545	675	455	260	140	3080	3135	1400	334	20	320	334	5	574
13 82 35	71 82 .3	1025	880	390	180	120	985	1145	350	300	15	240	600	4	216
13 83 35	71 83 .3	1155	880	390	300	120	1550	1585	775	300	15	240	600	4	294
13 84 35	71 84 .3	1320	900	400	420	120	2175	2090	1190	300	15	260	600	4	440
13 85 35	71 85 .3	1410	920	420	540	120	2730	2530	1560	300	15	280	600	4	576
13 86 35	71 86 .3	1470	920	420	270	120	2960	3030	1280	304	15	280	608	4	576
13 92 35	71 92 .3	1105	960	435	190	140	1070	1245	380	330	20	260	660	5	276
13 93 35	71 93 .3	1335	960	435	310	140	1620	1680	775	330	20	260	660	5	357
13 94 35	71 94 .3	1480	980	455	430	140	2285	2225	1265	330	20	280	660	5	515
13 95 35	71 95 .3	1495	1010	455	550	140	2830	2650	1680	334	20	320	668	5	864
13 96 35	71 96 .3	1545	1010	455	260	140	3080	3190	1400	334	20	320	668	5	864
14 82 35	71 82 .4	1025	1180	390	180	120	990	1190	350	300	15	240	900	4	289
14 83 35	71 83 .4	1155	1180	390	300	120	1550	1625	775	300	15	240	900	4	392
14 84 35	71 84 .4	1320	1200	400	420	120	2175	2130	1190	300	15	260	900	4	587
14 85 35	71 85 .4	1410	1220	420	540	120	2730	2570	1560	300	15	280	900	4	769
14 86 35	71 86 .4	1470	1230	420	270	120	2960	3070	1280	304	15	280	912	4	770
14 92 35	71 92 .4	1105	1290	435	190	140	1075	1270	380	330	20	260	990	5	369
14 93 35	71 93 .4	1335	1290	435	310	140	1620	1700	775	330	20	260	990	5	477
14 94 35	71 94 .4	1480	1310	455	430	140	2285	2245	1265	330	20	280	990	5	687
14 95 35	71 95 .4	1495	1340	455	550	140	2830	2670	1680	334	20	320	1002	5	1153
14 96 35	71 96 .4	1545	1340	455	260	140	3080	3210	1400	334	20	320	1002	5	1155

① The 5th digit in the type designation denotes the design:
6 for support brackets, bolted, standard design,
8 for support brackets, bolted, for increased requirements.

② Dimensions E and G₂ apply to upper blocking position, in other blocking positions E and G₂ change accordingly.

③ Minimum weld size.

Other lengths are also available on request.

Order details:
constant hangers
type 1. ...
with support bracket
type 71 ...
marking: ...
calibration load: ...kN
travel: ...mm up/down
blocking position
(as required): ...mm